



徐工徐工 助您成功  
XCMG FOR YOUR SUCCESS

# XC870K/XC870HK 挖掘装载机

Backhoe Loader



 [Machmall.com](http://Machmall.com)

Web: [machmall.com](http://machmall.com)  
Tel: +86-516 8773 9797  
E: [machmall@xcmg.com](mailto:machmall@xcmg.com)

# XC870K/XC870HK

## 产品简介 Product Overview

- XC870K/XC870HK是徐工新推出的一款K系列挖掘装载机。它是在现有产品成熟配套和技术性能的基础上，进行发动机排放升级、结构件轻量化和工作装置参数优化等提档升级，进一步提升产品舒适性、安全性、维修性、可靠性、保障性和经济性。

XC870K/XC870HK is a K series backhoe loader newly launched by XCMG. This product is upgraded on the basis of the mature equipment and technical performances of present products, including the upgrade of engine emission, lightweight upgrade of structural parts, and optimization of working device parameters, to further improve the comfort, safety, maintainability, reliability, supportability, and economy of the product.



## 机型特点 Characteristics

### 性能特点 Performance features

- 总体布局及桥荷分布更加合理，行驶稳定性更好，最大行驶速度可达到40km/h,转场速度更快；  
The overall layout and the axle load distribution are more reasonable to achieve better traveling stability and the maximum traveling speed is up to 40km/h to realize faster site transfer speed.
- 国内领先的液压系统分配技术，节能高效；最大流量154L/min，满足更多的属具配置需求；  
The domestic leading hydraulic system distribution technology features high energy-saving and efficiency. The maximum flow is 154L/min to meet the configuration demands of more attachments.
- 可配置高温、高寒、高原、高粉尘等多种环境适应性技术，用户可以根据使用需求定制；  
It can be applied with diversified environment adaptability technologies, including the high temperature, low temperature, highland, and heavily dusty environments, upon the user's customization depending on own needs.
- 装载端掘起力行业领先，比同类机型高15%~20%;挖掘端结构、铰点先进，挖斗转角行业最大，持土能力强。  
The highest breakout force on the loading end is leading the industry by 15%~20% compared with like models. The advanced structure and hinge points on the digging end and the industry's largest rotating angle of the bucket ensure strong soil holding capacity.

### 绿色节能 Environmental-friendliness

- 可卸荷双泵合流系统，根据工况可自动或手动切换单泵，辅泵高压卸荷，智能节能。  
The double pump confluence system with unloading function can automatically or manually switch over the individual pump based on the working condition and unload the high pressure by auxiliary pump, featuring high intelligence and energy-saving.
- 徐工自主研发负载敏感系统，挖掘复合动作平顺，动作切换冲击小，高效、节能。  
The XCMG's independently developed load-sensing system features smooth digging and loading combination motions, low motion changeover impact, and high efficiency and energy-saving.
- 铲装作业时可便捷切断发动机到传动系统的动力，使动力全部提供给液压系统，提高铲装效率  
During the digging and loading combination operations, the engine power to the drive system can be easily cut off so that all power is supplied to the hydraulic system to improve the digging and loading efficiency.
- 4档行驶自动切换为两轮驱动，消除寄生功率损耗。  
The machine automatically switches to two-wheel drive mode while traveling in gear IV to eliminate the parasitic power loss.

# XC870K/XC870HK

## 高强高效 广泛适应

### High Strength and High efficiency for Extensive Adaptability

#### 挖掘端 Digging End

- 高强度结构设计，挖掘力达63kN，作业高效。  
The high strength structural design features high operation efficiency, with the breakout force up to 63kN.
- 挖掘端可配备破碎锤、螺旋钻、振动夯、液压剪、铣刨器等作业机具。  
The digging end can be equipped with the attachments, including breaking hammer, twist drill, vibrating tamper, hydraulic shear, and planer.

#### 装载端 Loading End

- 优化设计、行业领先的八连杆工作装置，铲斗平动性好，工作快捷。  
The design optimized and industry leading 8-link working device features good levelness of bucket and rapid operations.
- 超高的卸载高度（2770mm），超大的掘起力（66kN），领跑同类产品。  
The ultra-high discharge height (2770mm) and ultra-high breakout force (66kN) lead the like products.

- 装载端可配备四合一铲斗、清扫器、井盖铣刨器、推雪铲、货叉等。  
The loading end can be equipped with four-in-one bucket, manhole cover planer, snow shovel, and forks.



- XC870K 采用中置展翼式支腿，外形美观，承载能力强，具有超高的稳定性。  
XC870K adopts middle wing-shaped outriggers, featuring beautiful appearance, high load-carrying capacity, and ultra-high stability.
- XC870HK采用侧移H型支腿，保证工作稳定的同时，挖掘装置具有侧移功能，挖掘范围更广。  
XC870HK adopts lateral H-shaped outriggers so that, while guaranteeing the operation stability, the digging device features lateral movement function and more extensive digging scope.



## 作业安全 操控舒适

### Operation Safety and Control Comfort

- 360°全视野豪华空调驾驶室，空间大，隔音、隔热、减震，侧窗、后窗均可打开，视野更开阔，操作舒适。  
The 360° panoramic view luxury cab with air conditioning system features large space, good sound and heat insulation, and good shock absorption. With openable side windows and rear window, the cab realizes broader visual field and comfortable operations.
- 配备悬浮座椅，多角度可调，操纵杆、仪表盘均按照人体工程学布置，操纵舒适。  
The suspension seats equipped are multi-angle adjustable. The joysticks and the instrument panel are arranged in accordance with ergonomic principles to realize comfortable operations.
- 配备收音机、储物格、水杯座、点烟器等，充分体现人性化设计理念。  
The radio/audio player, storages, cup holders, and cigarette lighter are equipped to sufficiently embody the humanized design philosophy.
- 换挡手柄配有动力切断开关，在高低档之间切换时，操控简便。  
The gearshift lever is equipped with power cutoff switch to ensure simple switchover between high and low gears.
- FOPS&ROPS驾驶室，灭火器、救生锤配置完备，确保操作者人身安全。  
The FOPS&ROPS cab and the fire extinguisher and safety hammer equipped guarantee the personal safety of the operator.
- 配备运行状态报警装置，实时监测，作业安全。  
The operating status alarms equipped realize real-time monitoring and guarantees operation safety.
- 免维护湿式制动桥，具有单边制动功能，转弯半径小。  
The maintenance-free wet-type brake axle features one-sided braking function and low turning radius.



# XC870K/XC870HK

## 高端高配 坚实可靠

### High-End Configuration for High Firmness and Reliability

- 配置知名品牌发动机，动力强劲，品质可靠。  
The world's renowned brand engine equipped features strong power and reliable quality.
- 配置CARRARO挖掘装载机专用变速箱、驱动桥，采用高速智能脱桥机构传动技术，传动平稳、可靠。  
The CARRARO special transmission and drive axle for backhoe loader and the high speed intelligent axle disengagement mechanism drive technology are equipped to realize stable and reliable drive.
- 配置高品质的液压元件，确保工作安全可靠。  
The first-class quality hydraulic units equipped ensure the working safety and reliability.
- 知名品牌电控组合手柄，可靠性高，操纵简单。  
The electronic control combination joysticks from world's renowned brand feature high reliability and simple operations.
- 车架及工作装置均通过有限元分析优化，应力分布合理，结构牢固。  
The frame and the working device are optimized through finite element analysis to realize reasonable stress distribution and firm structure.



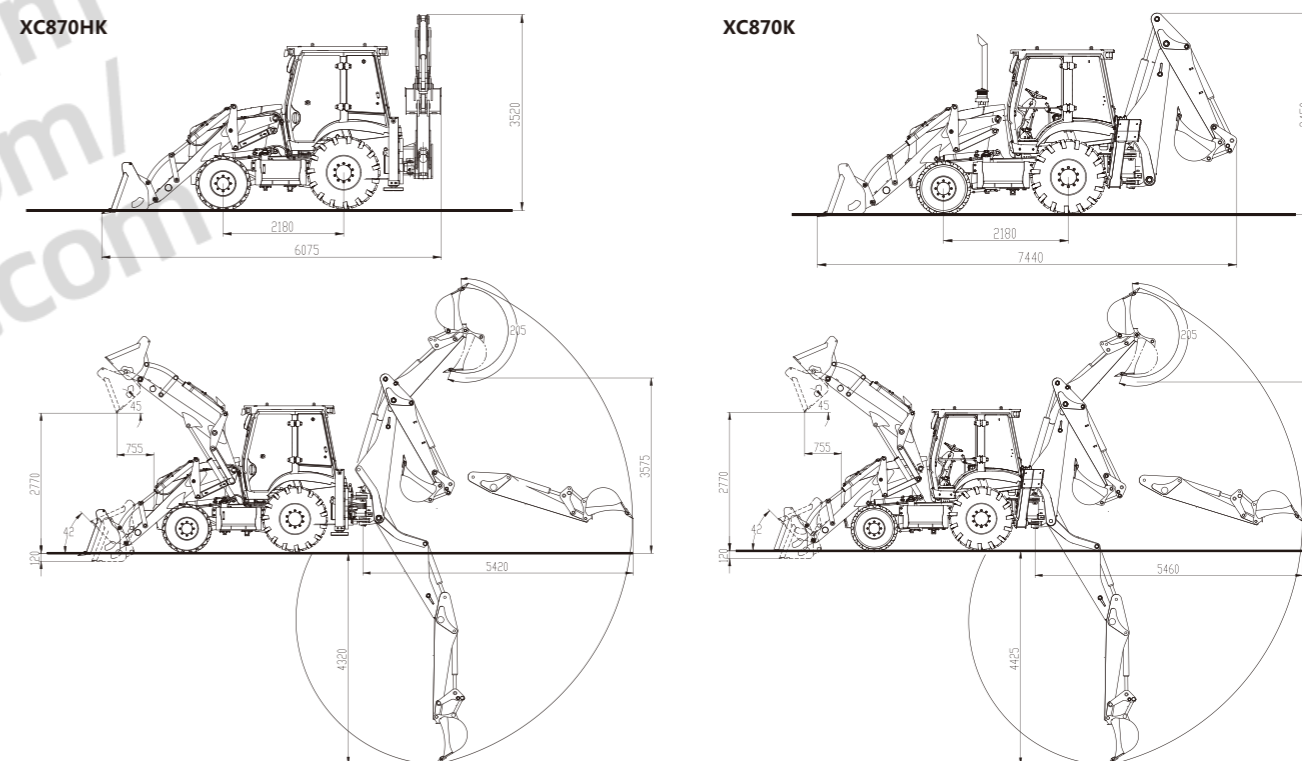
## 维护轻松 保养便捷

### Convenient Maintenances

- 徐工特有分体式机罩，向前可大角度开启，两侧机罩拆装方便，维护保养方便。  
The XCMG's pioneering split engine hoods can open forward for a large angle to ease the disassembly and installation of two engine hoods and help the maintenances.
- 配置集中测压接口，便于日常检测。  
The central pressure measurement port is configured to ease the daily inspection.
- 各铰接处润滑点集中引出，保养方便快捷。  
The lubricating points for various hinge joints are concentrated to realize easy and fast maintenances.



## 外形尺寸 Outline Dimensions



## 主要参数 MAIN SPECIFICATIONS

项目		Items	型号Model				单位Unit				
			XC870K		XC870HK						
底盘类型	Chassis type		整体式integrated		整体式integrated						
驱动形式	Drive style		四驱4 drive/两驱2 drive		四驱4 drive/两驱2 drive						
挖掘工作装置	Digging working device		中置式middle		侧移式side						
外形尺寸(长×宽×高)	Outline dimensions ( L×W×H )		7440×2350×3450		6075×2350×3520		mm				
整机重量	Total weight		7600		8200		kg				
最高行驶速度	Max. travel speed		≥40		≥40		km/h				
轴距	Wheelbase		2180		2180		mm				
发动机	功率	Engine Power	82(康明斯)	74(康明斯)	74.9(大连通依茨)	70(潍柴)	82(康明斯)	74(康明斯)	74.9(大连通依茨)	70(潍柴)	kW
	排放	Engine Supplier	三阶段	二阶段	三阶段	二阶段	三阶段	二阶段	三阶段	二阶段	
装载装置	铲斗斗容	Bucket capacity	1.0		1.0				m <sup>3</sup>		
	额定载荷	Rated load	2500		2500				kg		
	最大掘起力	Max. breakout	66		66				kN		
	最大卸载高度	Max. discharge height	2770		2770				mm		
	最大卸载距离	Max. discharge distance	755		755				mm		
	系统压力	System pressure	24		24				Mpa		
挖掘装置	挖斗斗容	Bucket capacity	0.3		0.25				m <sup>3</sup>		
	最大挖掘半径	Max. digging radius	5460		5420				mm		
	最大挖掘深度	Max. digging depth	4425		4320				mm		
	最大挖掘力	Max. digging force	63		63				kN		
	系统压力	System pressure	24		24				Mpa		

随技术进步，产品结构、参数将不断改进，恕不另行通知。样本信息与实物略有不符的，以实物为准。  
Structure and specification are subject to change without notice. In case there is any difference between the description of the machine and the substantial machine, the substantial machine should govern.



Machmall.com is an electromechanical product platform officially launched by XCMG, aiming to provide global customers with a complete set of high-quality construction machinery solutions and supporting equipment.

Xuzhou Construction Machinery Group Co., Ltd. (XCMG Group), founded in 1943, is the fourth largest worldwide construction machinery manufacturer and the largest in China with products covering 183 countries and regions.

XCMG have 12 complete solutions: Crane lifting, Mining Construction, Earth-moving Solutions, Road Machinery, Concrete Equipment, Tunnel and Underground Space Construction, Mobile Elevating Work Platform (MEWP), Piling and Non-excavation Equipment, Transportation Equipment, Environmental Sanitation Equipment, Firefighting, Safety and Emergency Rescue


徐工徐工，助您成功

— XCMG for your success —



 <https://www.machmall.com/>

 [machmall@xcmg.com](mailto:machmall@xcmg.com)

 0086 18652 183963  
86-516 8773 9797

